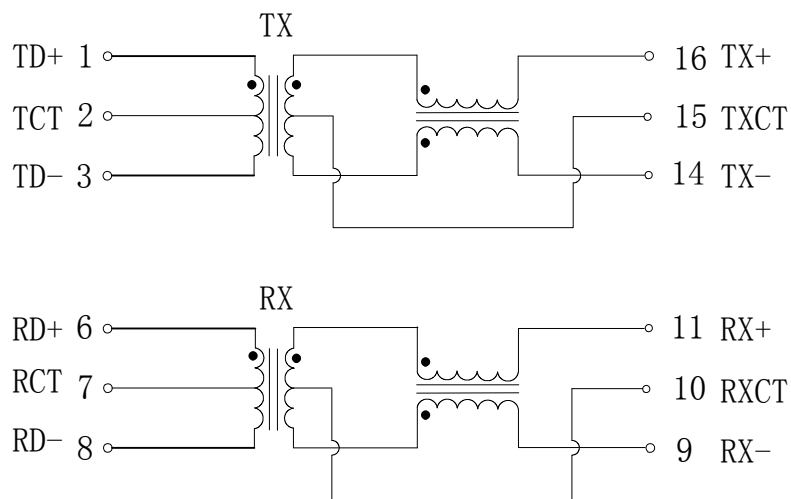


# Schematic:

REV.	ECN NO.	DESCRIPTION	DATE	APPD
A	REL		2013-02-26	



## ELECTRICAL SPECIFICATIONS @25°C

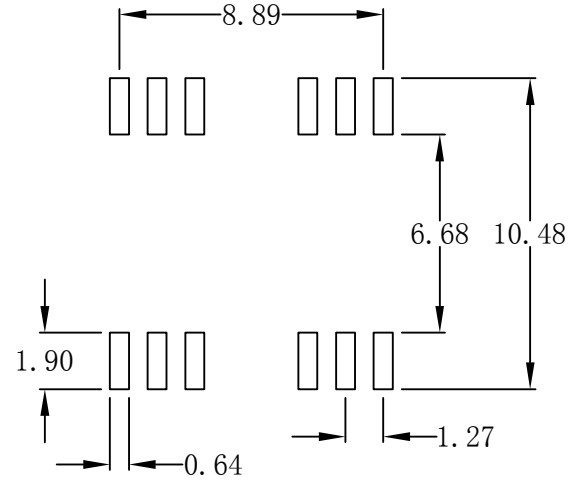
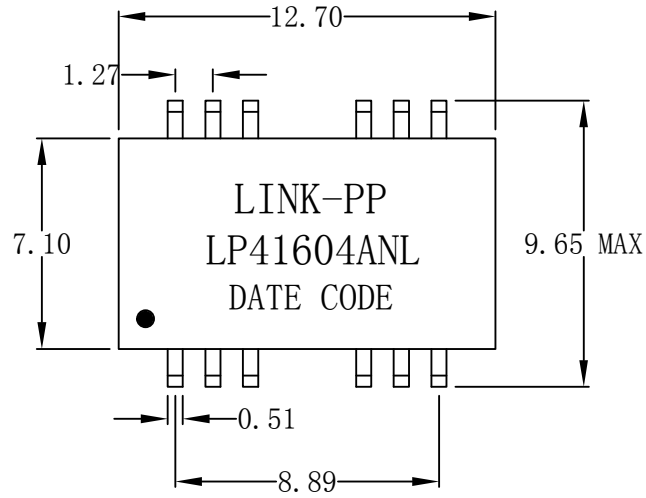
- Turn Ratio ( $\pm 3\%$ ):  
TX=1CT:1CT      RX=1CT:1CT
- Inductance OCL:  
350uH MIN @ 100KHz 0.1V
- Insertion Loss:  
-1.1dB MAX @ 1-100MHz
- Return Loss:  
-16dB MIN @ 1-30MHz  
-12dB MIN @ 30-60MHz  
-10dB MIN @ 60-100MHz
- Cross talk:  
-40dB MIN @ 1-30MHz  
-35dB MIN @ 30-60MHz  
-30dB MIN @ 60-100MHz
- Common Mode Rejection:  
-30dB MIN @ 1-50MHz  
-20dB MIN @ 50-150MHz
- Hipot Test: 1500Vrms
- Operating Temperature Range: -40°C TO +85°C.



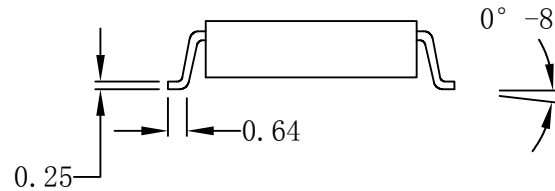
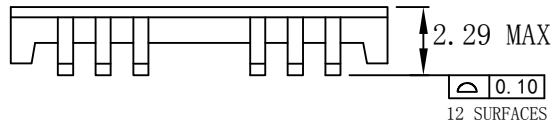
X:X	APPD:	LINK-PP INT'L TECHNOLOGY CO., LIMITED
X:XX $\pm 0.15$	CHKD:	
X:XXX	DR: Frank	TITLE: 10/100Base-T Single Port Transformer Modules Low Profile
ANGLES $\pm 1^\circ$	UNIT: mm	PART NO.: LP41604ANL
	SCALE: 2/1	SHEET: 1/2
	REV: A	DWG NO.: LP13021229

# Mechanical:

REV.	ECN NO.	DESCRIPTION	DATE	APPD
A	REL		2013-02-26	



SUGGESTED PAD LAYOUT



## NOTES:

1. Designed to support application, such as SOHO (ADSL modems), LAN-on-Motherboard (LOM), hub and Switches.
2. Meets IEEE 802.3 specification.
3. Maximum reflow temperature is 260°C, 10s, 3 times.

X:X	APPD:	LINK-PP INT'L TECHNOLOGY CO., LIMITED
X:XX ± 0.15	CHKD:	
X:XXX	DR: TOM	TITLE: 10/100Base-T Single Port Transformer Modules Low Profile
ANGLES ± 1°	UNIT: mm	PART NO.: LP41604ANL
	SCALE: 2/1	SHEET: 2/2
	REV: A	DWG NO.: LP13021229

Sales Department A-B2

Sales Engineer / Summer Ming - 明夏

Tel: 0086-752-3322915      Mob: 0086-180-2668-6530

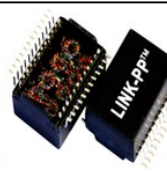
Fax: 0086-752-3161926

E-mail: Summer@link-pp.com

www.link-pp.com

LINK- PP INT'L TECHNOLOGY CO., LIMITED

Jia An Industrial Park, Chenjiang Rd, Zhongkai Hightech Zone, Huizhou City,  
516003, China



LINK- PP INT'L TECHNOLOGY CO., LIMITED

Seris : LPJXXXXXXXX/ LPXXXXXXXX/ LPAXXXXXXX